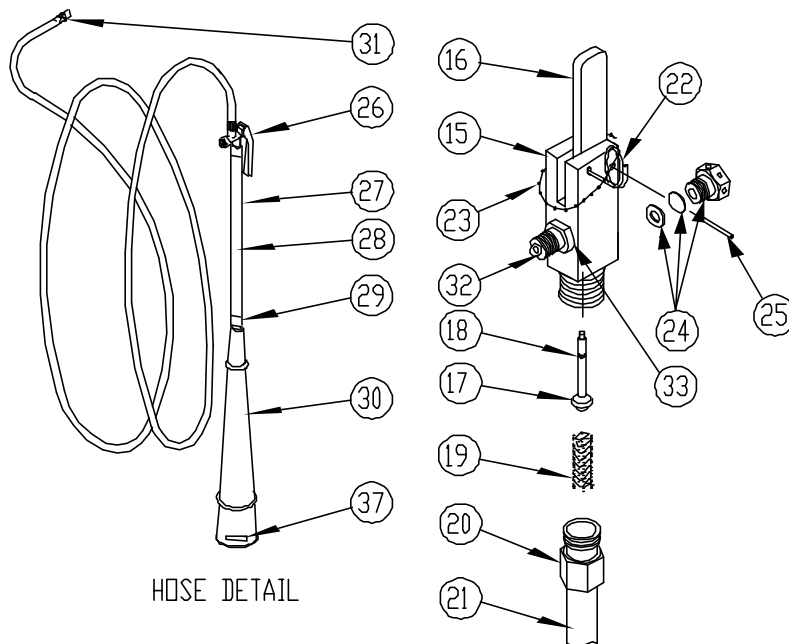
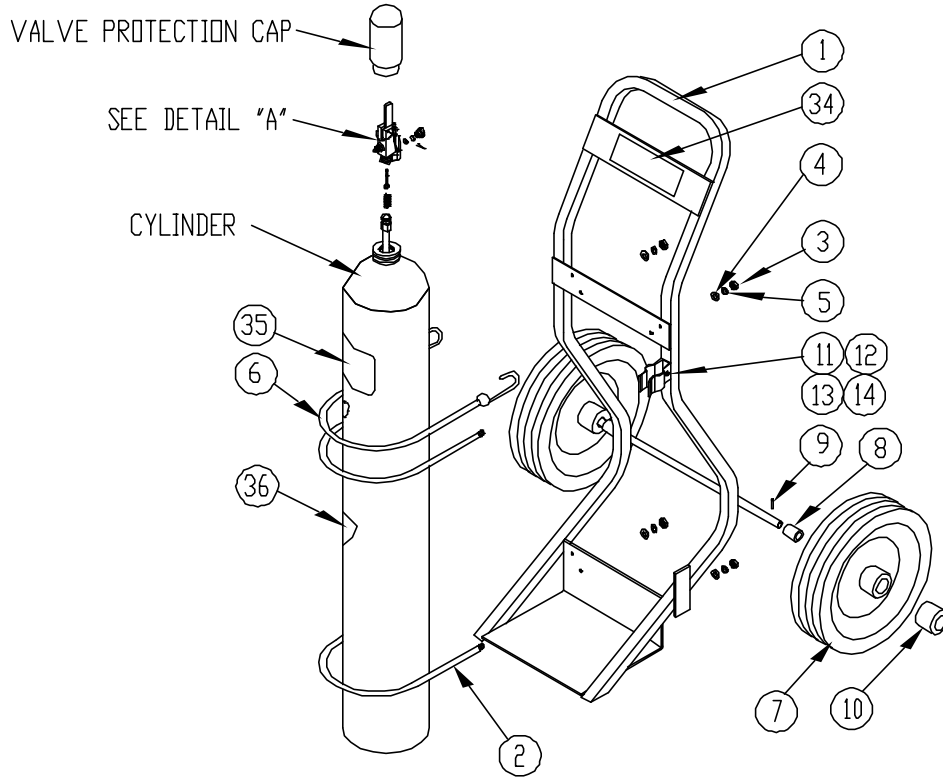


PARTS LIST

50 & 100 LB. WHEELED CARBON DIOXIDE FIRE EXTINGUISHERS



HOSE DETAIL

DETAIL "A"