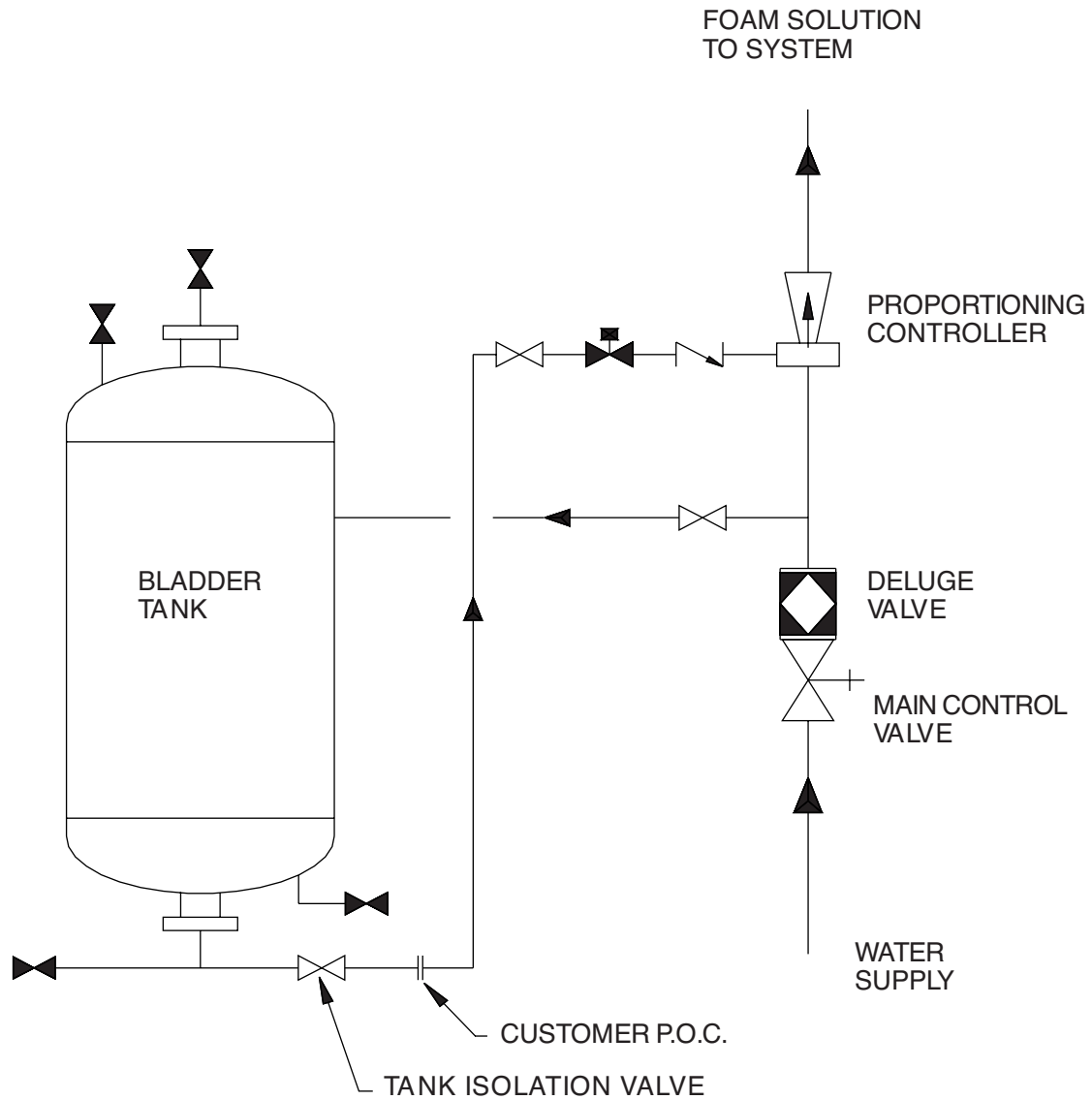




FOAM PROPORTIONING EQUIPMENT

BLADDER TANK



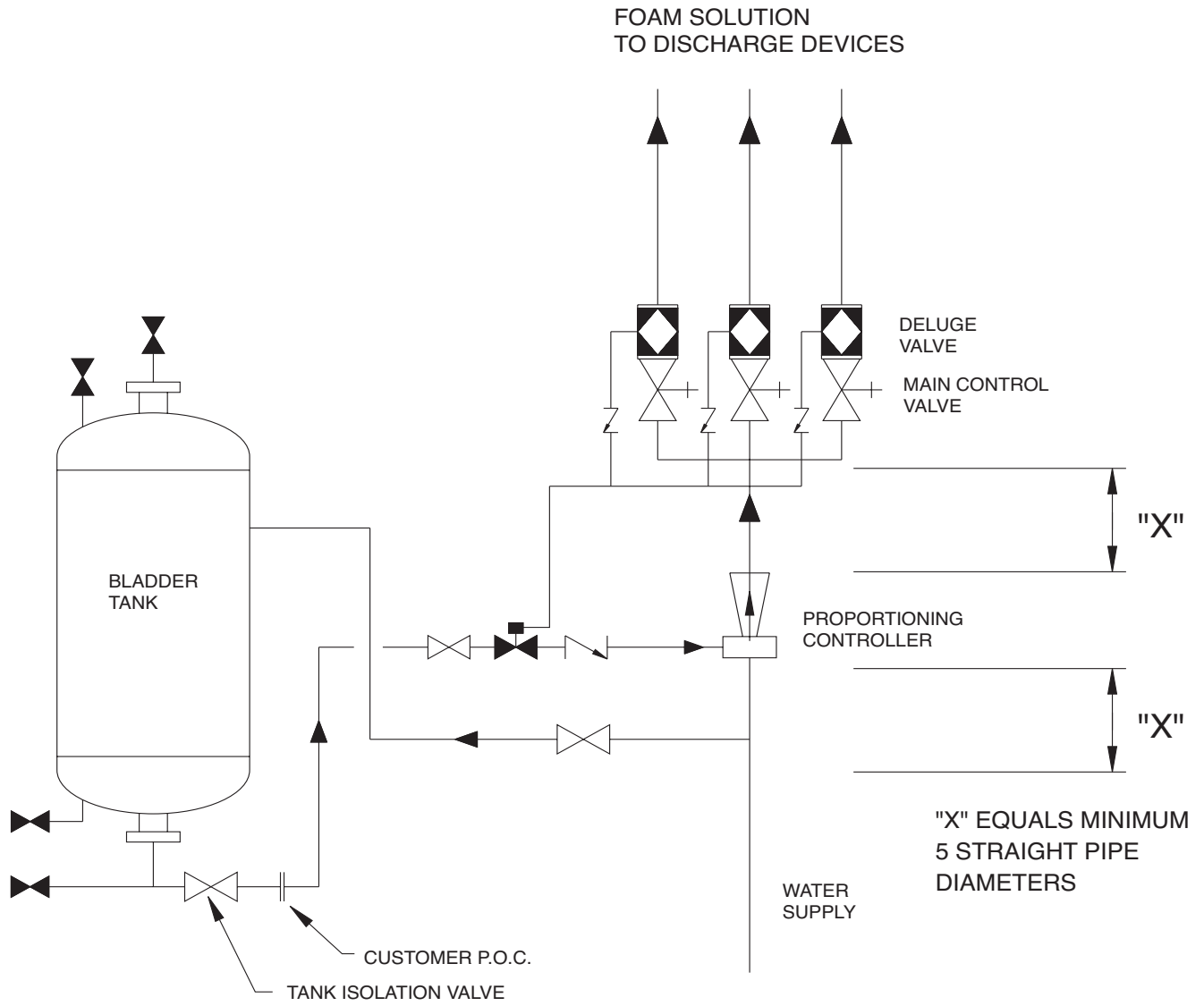
VERTICAL BLADDER TANK
with ONE PROPORTIONING CONTROLLER





FOAM PROPORTIONING EQUIPMENT

BLADDER TANK



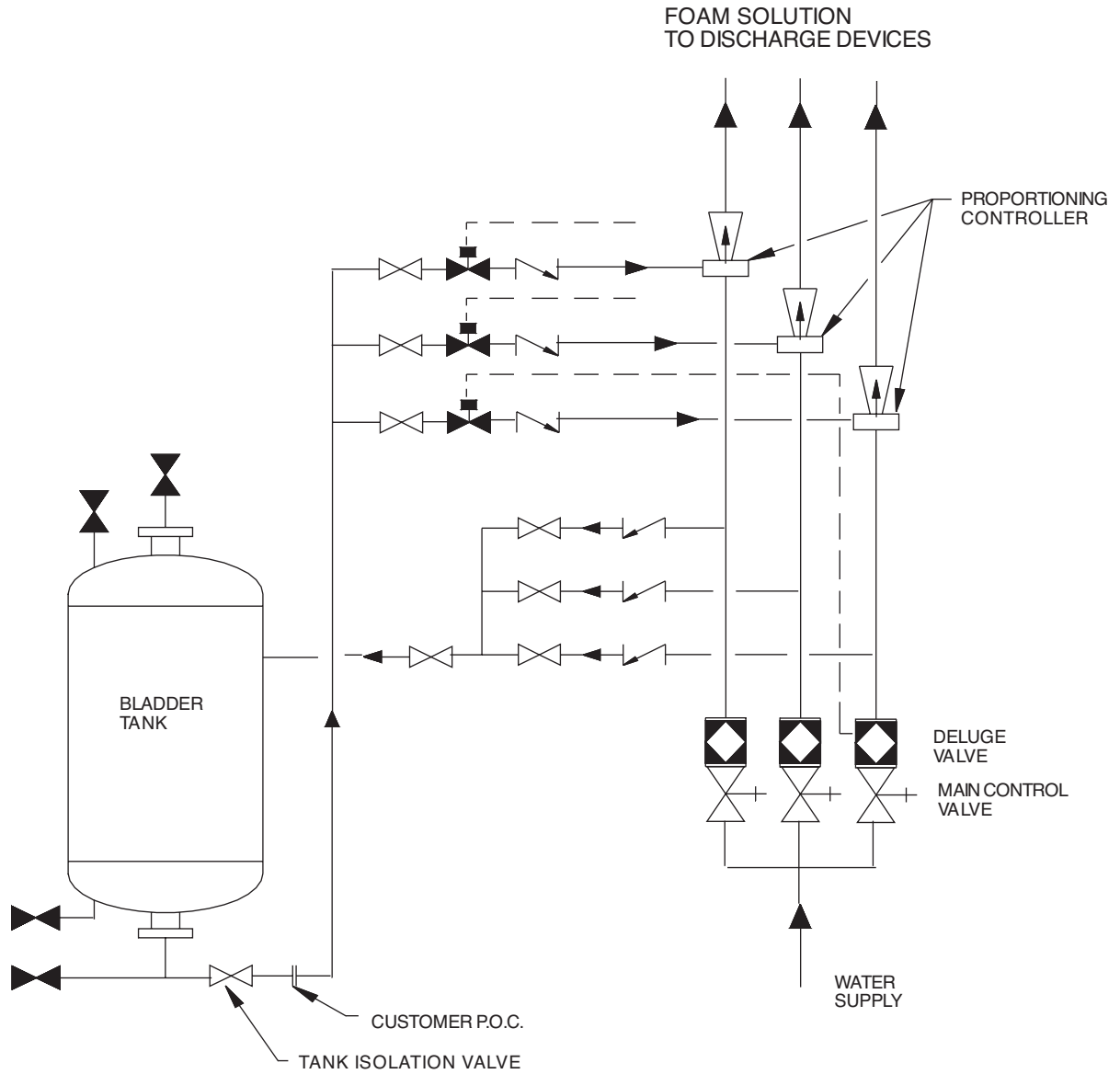
VERTICAL BLADDER TANK with
ONE PROPORTIONING CONTROLLER
(TANK NORMALLY PRESSURIZED)





FOAM PROPORTIONING EQUIPMENT

BLADDER TANK



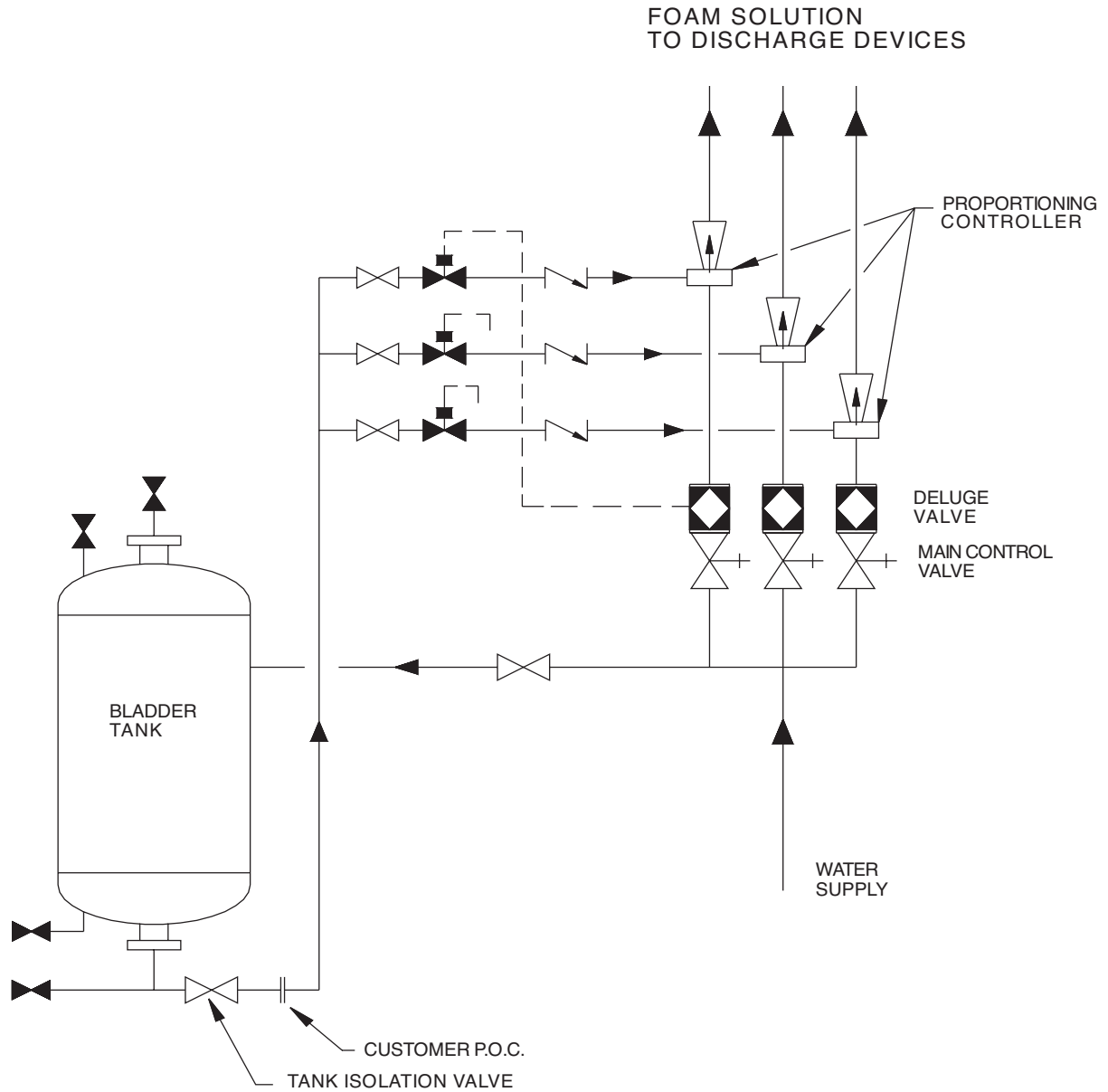
**VERTICAL BLADDER TANK
with THREE PROPORTIONING CONTROLLERS**





FOAM PROPORTIONING EQUIPMENT

BLADDER TANK



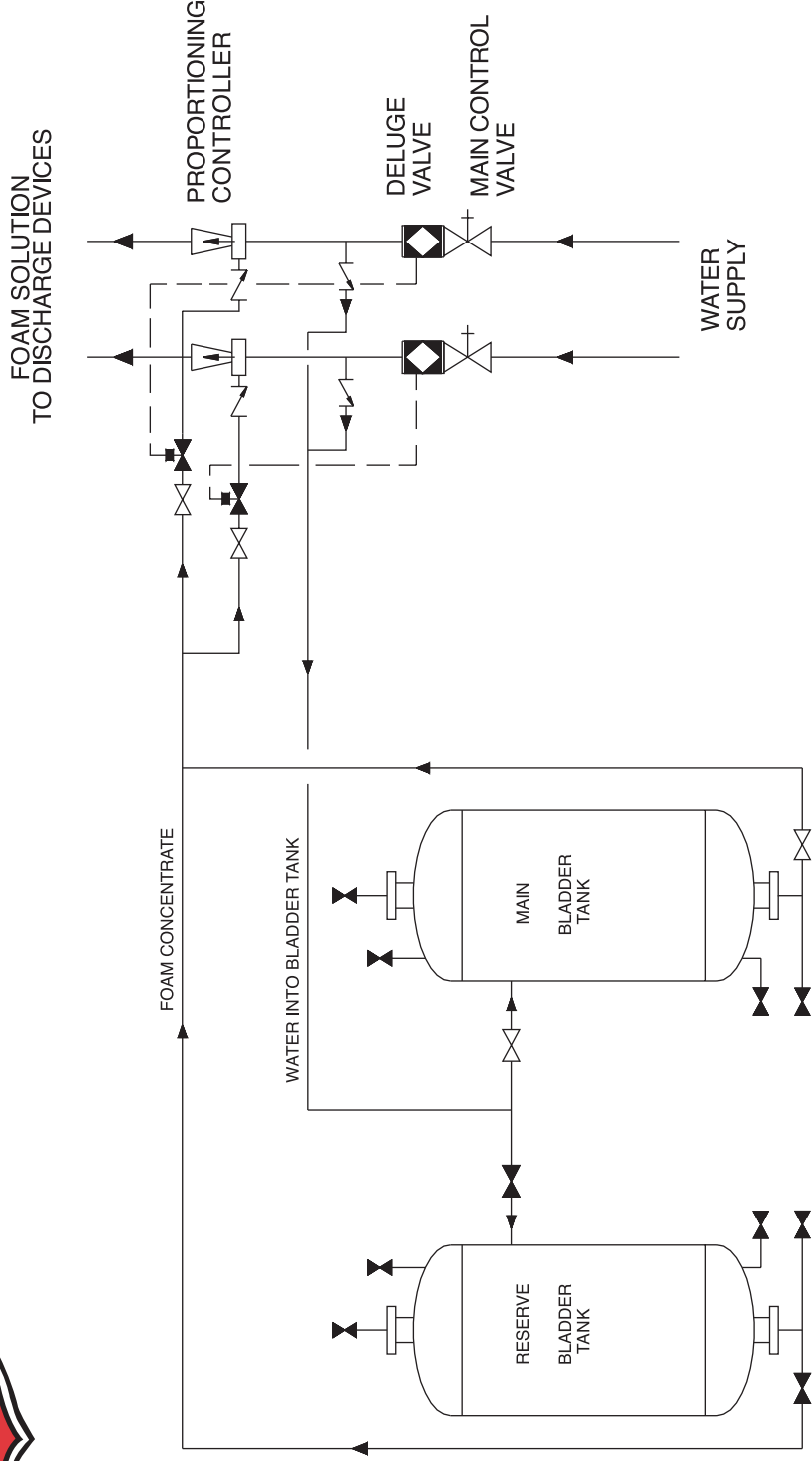
VERTICAL BLADDER TANK WITH THREE PROPORTIONING CONTROLLERS (TANK NORMALLY PRESSURIZED)





FOAM PROPORTIONING EQUIPMENT

BLADDER TANK



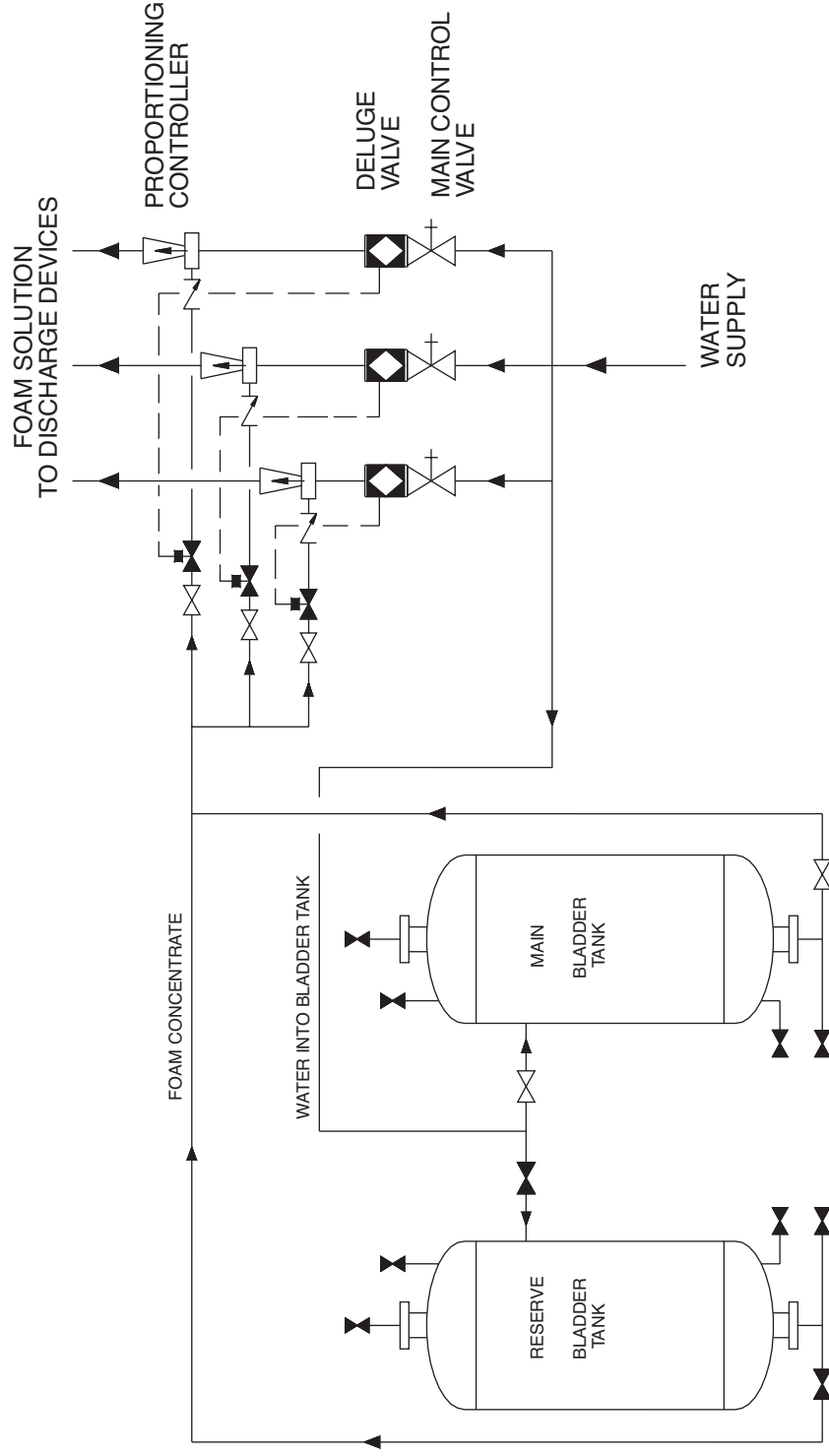
BLADDER TANK SYSTEM
with MAIN & RESERVE TANKS and TWO PROPORTIONERS





FOAM PROPORTIONING EQUIPMENT

BLADDER TANK



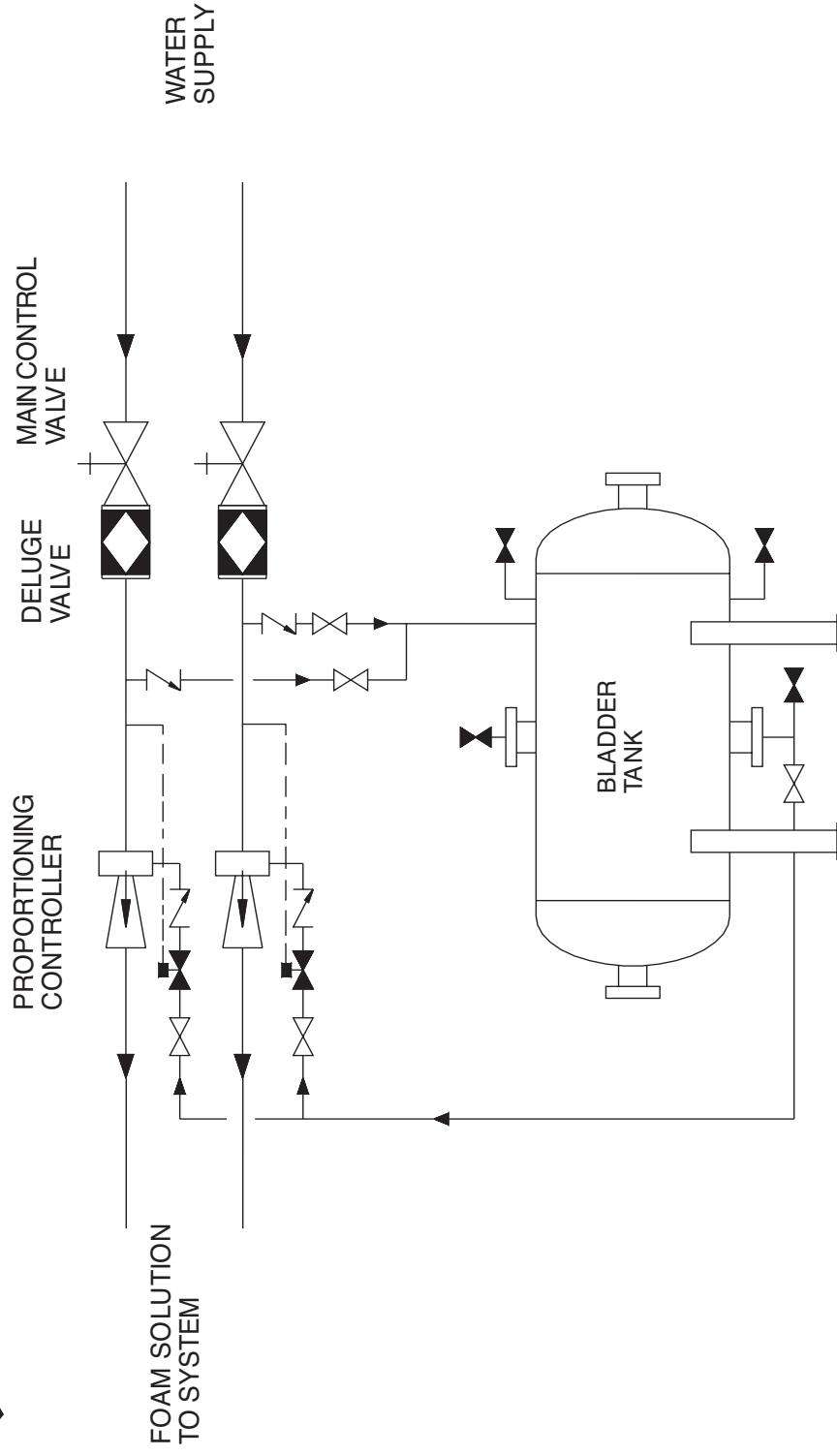
BLADDER TANK SYSTEM
with MAIN & RESERVE TANKS and THREE PROPORTIONERS





FOAM PROPORTIONING EQUIPMENT

BLADDER TANK



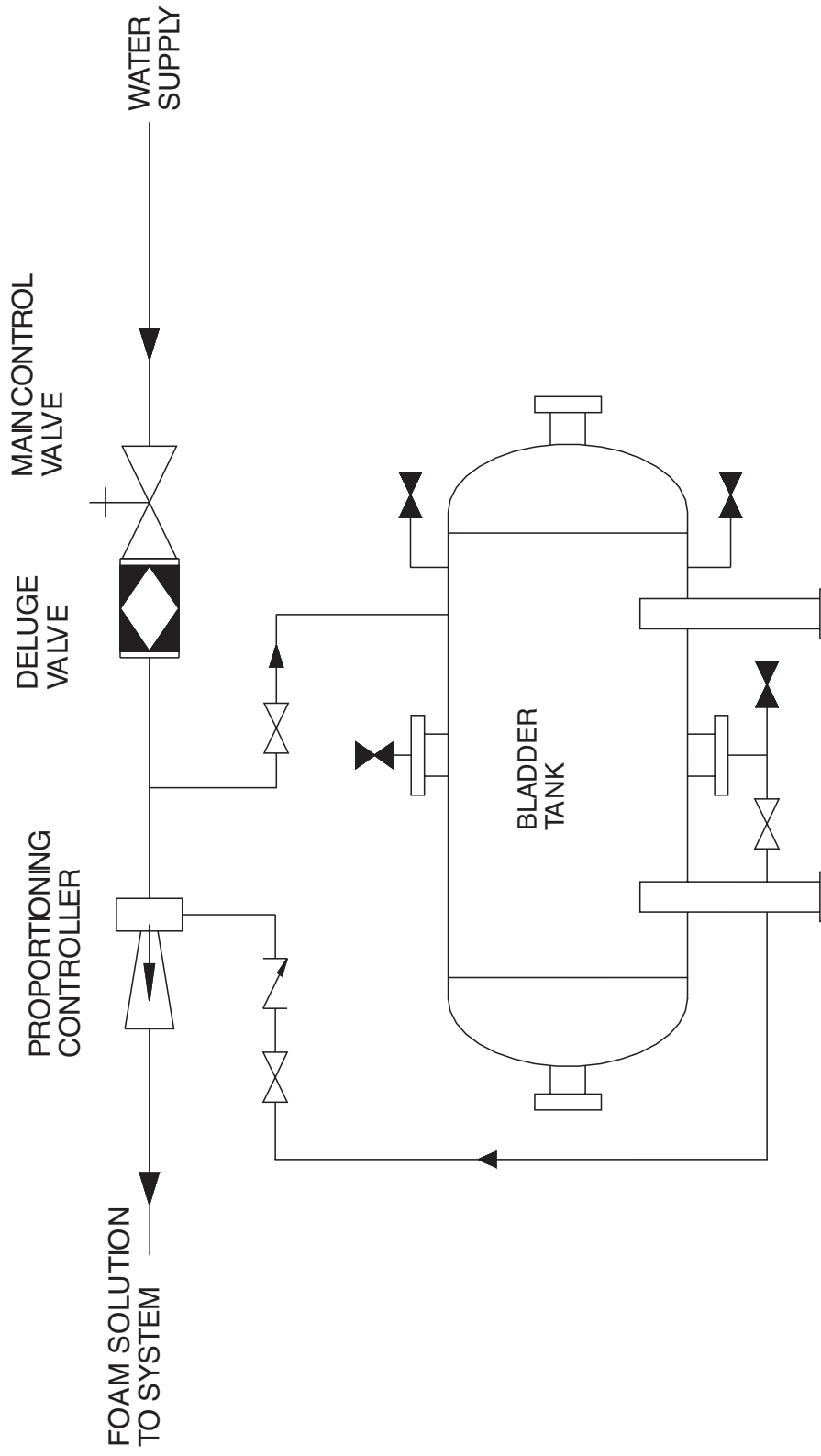
HORIZONTAL BLADDER TANK with TWO PROPORTIONING CONTROLLERS





FOAM PROPORTIONING EQUIPMENT

BLADDER TANK



HORIZONTAL BLADDER TANK with ONE
PROPORTIONING CONTROLLER

